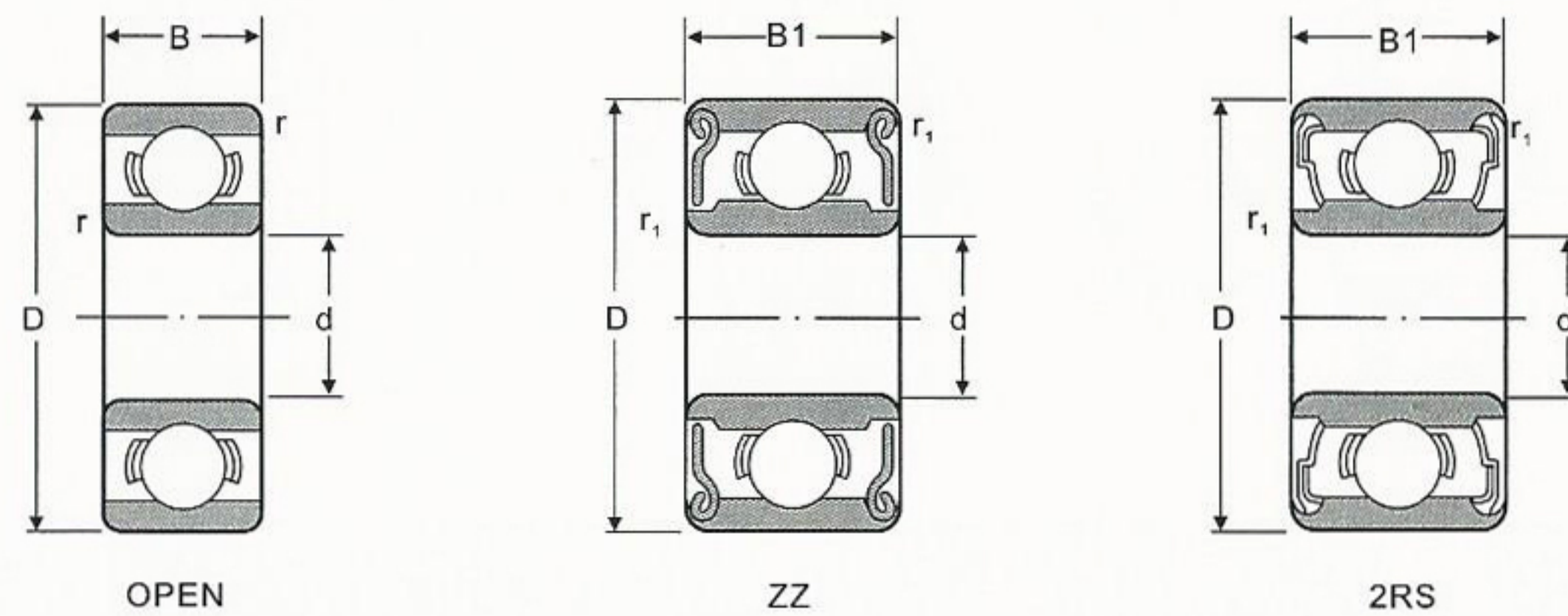




MINIATURE & INSTRUMENT BALL BEARINGS

Metric series



SAS Bearing No.	Bore d mm	Outer Diameter D mm	Width		Radius r mm	Ball Complement		Basic Load Rating lbs		Weight lbs	Ref. No.	
			Open B mm	Shielded B1 mm		No.	Size inch	Dynamic Cr	Static Cor		NMB	RMB
681	1	3	1	-	0.05	7	0.5mm	18	5	-	L310	UL103
MR31	1	3	1.5	-	0.05	7	0.5mm	18	5	-		
691	1	4	1.6	-	0.10	6	1/32	24	8	-	R410	
MR41X	1.2	4	1.8	2.5	0.10	6	1/32	24	8	-		
681X	1.5	4	1.2	2	0.05	7	0.635mm	20	7	-	L415	UL154
691X	1.5	5	2	2.6	0.15	7	1/32	29	11	-	R515	R1550
601X	1.5	6	2.5	3	0.15	6	3/64	55	22	-	R615	
682	2	5	1.5	2.3	0.08	7	1/32	29	11	-	L520	UL205
MR52	2	5	2	2.5	0.10	6	3/64	37	11	-		
692	2	6	2.3	3	0.15	6	3/64	55	22	-	R620	R2060
MR62	2	6	2.5	2.5	0.15	6	3/64	60	22	-		
MR72	2	7	2.5	3	0.15	7	3/64	65	26	-		
602	2	7	2.8	3.5	0.15	7	3/64	66	29	0.001	R720	
682X	2.5	6	1.8	2.6	0.08	8	1/32	35	14	-	L625	UL256
692X	2.5	7	2.5	3.5	0.15	7	3/64	66	29	-	R725	R2570
MR82X	2.5	8	2.5	-	0.20	6	1/16	64	24	-		
602X	2.5	8	2.8	4	0.15	6	1/16	64	24	0.001	R825	R2580
MR63	3	6	2	2.5	0.10	8	1/32	35	14	-	L630	
683	3	7	2	3	0.10	7	3/64	66	29	-	L730	UL307
MR83	3	8	2.5	-	0.15	6	1/16	64	24	-		
693	3	8	3	4	0.15	6	1/16	64	24	-	R830	
MR93	3	9	2.5	4	0.20	7	1/16	70	30	-		
603	3	9	3	-	0.15	7	1/16	99	42	0.002	R930	
623	3	10	4	4	0.15	7	1/16	99	42	0.003	R1030	R3100
633	3	13	5	5	0.20	-	-	266	98	0.005		
MR74	4	7	2	2.5	0.10	11	1/32	58	25	-	L740	
MR84	4	8	2	3	0.15	7	3/64	88	33	-	L840	
684	4	9	2.5	4	0.10	7	1/16	99	42	0.001	L940	UL409
MR104	4	10	3	4	0.20	8	1/16	99	42	0.002	L1040	
694	4	11	4	4	0.15	9	1/16	123	57	0.004	R1140	
604	4	12	4	4	0.20	7	2.00mm	167	77	0.005	R1240	
624	4	13	5	5	0.20	6	3/32	224	108	0.007	R1340	R4130
634	4	16	5	5	0.30	8	3/32	300	140	0.013	R1640	R4160

Most sizes are available from AISI440C stainless steel.
 For AISI 440C stainless steel add "S" prefix. Example SMR85-ZZ, S623-ZZ etc.
 Other sizes not listed above will be available upon request.