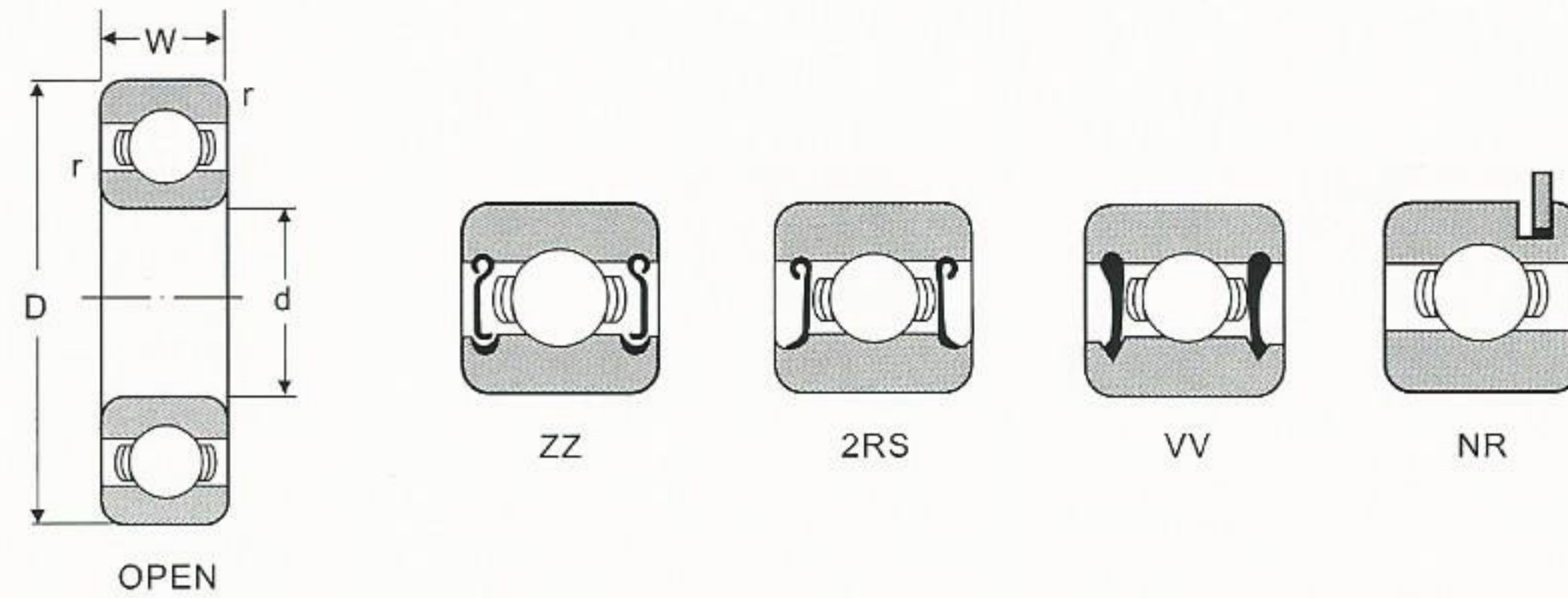




SINGLE ROW RADIAL BALL BEARINGS

Series 6000



SAS Bearing No.	Bore d		Outer Diameter D		Width W		Radius r		Basic Load Rating lbs		Weight lbs
	mm	inch	mm	inch	mm	inch	mm	inch	Dynamic Cr	Static Cor	
6000	10	.3937	26	1.0236	8	.3150	0.5	.020	1030	440	.042
6001	12	.4724	28	1.1024	8	.3150	0.5	.020	1150	540	.049
6002	15	.5906	32	1.2598	9	.3543	0.5	.020	1260	635	.066
6003	17	.6693	35	1.3780	10	.3937	0.5	.020	1530	755	.086
6004	20	.7874	42	1.6535	12	.4724	1.0	.039	2110	1140	.152
60/22	22	.8661	44	1.7323	12	.4724	1.0	.039	2110	1150	.163
6005	25	.9843	47	1.8504	12	.4724	1.0	.039	2260	1320	.176
60/28	28	1.1024	52	2.0472	12	.4724	1.0	.039	2800	1660	.216
6006	30	1.1811	55	2.1654	13	.5118	1.5	.059	2970	1860	.256
60/32	32	1.2598	58	2.2835	13	.5118	1.5	.059	3400	2050	.284
6007	35	1.3780	62	2.4409	14	.5512	1.5	.059	3600	2310	.342
6008	40	1.5748	68	2.6772	15	.5906	1.5	.059	3750	2590	.423
6009	45	1.7717	75	2.9528	16	.6299	1.5	.059	4700	3400	.540
6010	50	1.9685	80	3.1496	16	.6299	1.5	.059	4900	3750	.575
6011	55	2.1654	90	3.5433	18	.7087	1.5	.059	6350	4800	.849
6012	60	2.3622	95	3.7402	18	.7087	2.0	.079	6600	5200	.915
6013	65	2.5591	100	3.9370	18	.7087	2.0	.079	6850	5650	.959
6014	70	2.7559	110	4.3307	20	.7874	2.0	.079	8550	6950	1.33
6015	75	2.9528	115	4.5276	20	.7874	2.0	.079	8900	7550	1.41
6016	80	3.1496	125	4.9213	22	.8661	2.0	.079	10700	8950	1.87
6017	85	3.3465	130	5.1181	22	.8661	2.0	.079	11100	9700	1.96
6018	90	3.5433	140	5.5118	24	.9449	2.5	.098	13100	11200	2.56
6019	95	3.7402	145	5.7087	24	.9449	2.5	.098	13600	12100	2.67
6020	100	3.9370	150	5.9055	24	.9449	2.5	.098	13500	12200	2.76
6021	105	4.1339	160	6.2992	26	1.0236	3.0	.118	16300	14800	3.51
6022	110	4.3307	170	6.6929	28	1.1024	3.0	.118	18400	16400	4.32
6024	120	4.7244	180	7.0866	28	1.1024	3.0	.118	19100	17800	4.56
6026*	130	5.1181	200	7.8740	33	1.2992	3.0	.118	23900	22700	6.97
6028*	140	5.5118	210	8.2677	33	1.2992	3.0	.118	24700	24400	7.39
6030*	150	5.9055	225	8.8583	35	1.3780	3.5	.138	28300	28300	8.99
6032*	160	6.2992	240	9.4488	38	1.4961	3.5	.138	32000	32500	11.10
6034*	170	6.6929	260	10.2362	42	1.6535	3.5	.138	38000	38500	17.50
6036*	180	7.0866	280	11.0236	46	1.8110	3.5	.138	42500	44500	22.70
6038*	190	7.4803	290	11.4173	46	1.8110	3.5	.138	44000	48500	23.80
6040*	200	7.8740	310	12.2047	51	2.0079	3.5	.138	49000	54500	30.60

- * Not normal stock items. Contact us for availability.
- For AISI 440C stainless steel, add "S" prefix, e.g. S6005-2RS.
Available from S6000 to S6012, open, ZZ and 2RS.