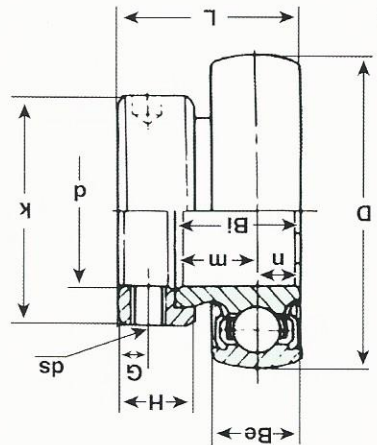
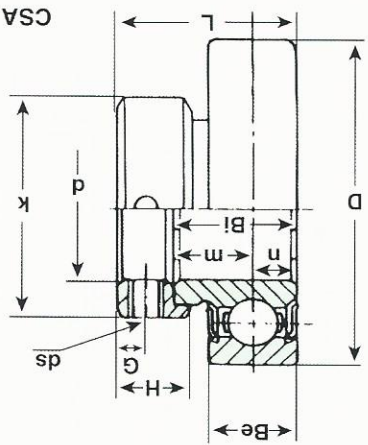
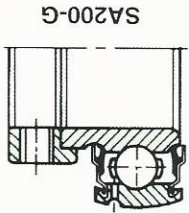
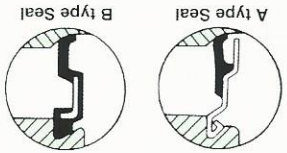


INSERT BEARINGS



ECCENTRIC LOCKING COLLAR TYPE - LIGHT DUTY SERIES

SA200-SERIES
CSA200-SERIES



HBC Bearing No.	Shaft Dia. (in)	Shaft Dia. (mm)	Dimensions (in)										Set Screw	Load Rating	Weight	
			D	L	Be	n	m	k	H	G	ds	Bi				
SA201-8	1/2	12.5	1.5748	1.125	0.748	0.512	0.256	0.492	1.125	0.531	0.188	G	ds	Dynamic	1072	0.14
SA202-10	5/8	15.88	1.6562	1.125	0.748	0.512	0.256	0.492	1.125	0.531	0.188	G	ds	Dynamic	1072	0.13
CSA104-12	3/4	19.05	1.6562	1.125	0.748	0.512	0.256	0.492	1.125	0.531	0.188	G	ds	Dynamic	1000	0.12
SA204-12	3/4	19.05	1.8504	1.218	0.843	0.551	0.295	0.531	1.260	0.531	0.188	G	ds	Dynamic	2484	0.15
SA205-14	7/8	22.23	2.0472	1.218	0.843	0.551	0.295	0.531	1.260	0.531	0.188	G	ds	Dynamic	1765	0.18
SA205-15	15/16	24.13	2.0472	1.218	0.843	0.551	0.295	0.531	1.260	0.531	0.188	G	ds	Dynamic	3152	0.19
SA205-16	1	25.4	2.0472	1.218	0.843	0.551	0.295	0.531	1.260	0.531	0.188	G	ds	Dynamic	1765	0.18
SA206-17	1-1/16	27.14	2.4409	1.406	0.937	0.629	0.354	0.583	1.748	0.625	0.234	G	ds	Dynamic	2542	0.31
SA206-18	1-1/8	29.83	2.4409	1.406	0.937	0.629	0.354	0.583	1.748	0.625	0.234	G	ds	Dynamic	3152	0.33
SA206-19	1-3/16	32.08	2.4409	1.406	0.937	0.629	0.354	0.583	1.748	0.625	0.234	G	ds	Dynamic	4375	0.37
SA206-20	1-1/4	34.93	2.4409	1.406	0.937	0.629	0.354	0.583	1.748	0.625	0.234	G	ds	Dynamic	4375	0.40
SA207-20	1-1/4	34.93	2.8346	1.531	1.000	0.669	0.374	0.626	2.188	0.688	0.266	G	ds	Dynamic	3459	0.56
SA207-21	1-5/16	38.1	2.8346	1.531	1.000	0.669	0.374	0.626	2.188	0.688	0.266	G	ds	Dynamic	3459	0.51
SA207-22	1-3/8	41.27	2.8346	1.531	1.000	0.669	0.374	0.626	2.188	0.688	0.266	G	ds	Dynamic	3459	0.53
SA207-23	1-7/16	44.45	2.8346	1.531	1.000	0.669	0.374	0.626	2.188	0.688	0.266	G	ds	Dynamic	3459	0.51
SA208-24	1-1/2	47.63	3.1496	1.719	1.187	0.708	0.433	0.756	2.377	0.719	0.266	G	ds	Dynamic	4042	0.68
SA208-25	1-9/16	50.81	3.1496	1.719	1.187	0.708	0.433	0.756	2.377	0.719	0.266	G	ds	Dynamic	4042	0.65
SA209-26	1-5/8	54.0	3.3465	1.719	1.187	0.748	0.433	0.756	2.499	0.719	0.266	G	ds	Dynamic	4042	0.76
SA209-27	1-11/16	57.18	3.3465	1.719	1.187	0.748	0.433	0.756	2.499	0.719	0.266	G	ds	Dynamic	4042	0.73
SA209-28	1-3/4	60.35	3.3465	1.719	1.187	0.748	0.433	0.756	2.499	0.719	0.266	G	ds	Dynamic	4042	0.69
SA210-30	1-7/8	63.5	3.3465	1.719	1.187	0.748	0.433	0.756	2.499	0.719	0.266	G	ds	Dynamic	4042	0.68
SA210-31	1-15/16	66.68	3.3465	1.719	1.187	0.748	0.433	0.756	2.499	0.719	0.266	G	ds	Dynamic	4042	0.69
SA211-32	2	70.15	3.9370	1.906	1.280	0.945	0.472	0.807	2.999	0.813	0.313	G	ds	Dynamic	5180	0.79
SA211-34	2-1/8	73.83	3.9370	1.906	1.280	0.945	0.472	0.807	2.999	0.813	0.313	G	ds	Dynamic	5180	0.83
SA211-35	2-3/16	77.48	3.9370	1.906	1.280	0.945	0.472	0.807	2.999	0.813	0.313	G	ds	Dynamic	5180	0.81
SA212-36	2-1/4	81.28	4.3307	1.937	1.315	0.945	0.472	0.843	3.311	0.874	0.313	G	ds	Dynamic	8093	1.09
SA212-39	2-7/16	85.0	4.3307	1.937	1.315	0.945	0.472	0.843	3.311	0.874	0.313	G	ds	Dynamic	8093	1.30

Note: 1. Add "G" suffix for relube type, (e.g., SA205-16G). Grease groove is on locking collar side of outer ring as standard and can be manufactured on the opposite side upon request.
 2. Metric bore sizes also available upon request.
 3. Stainless steel inserts available upon request.