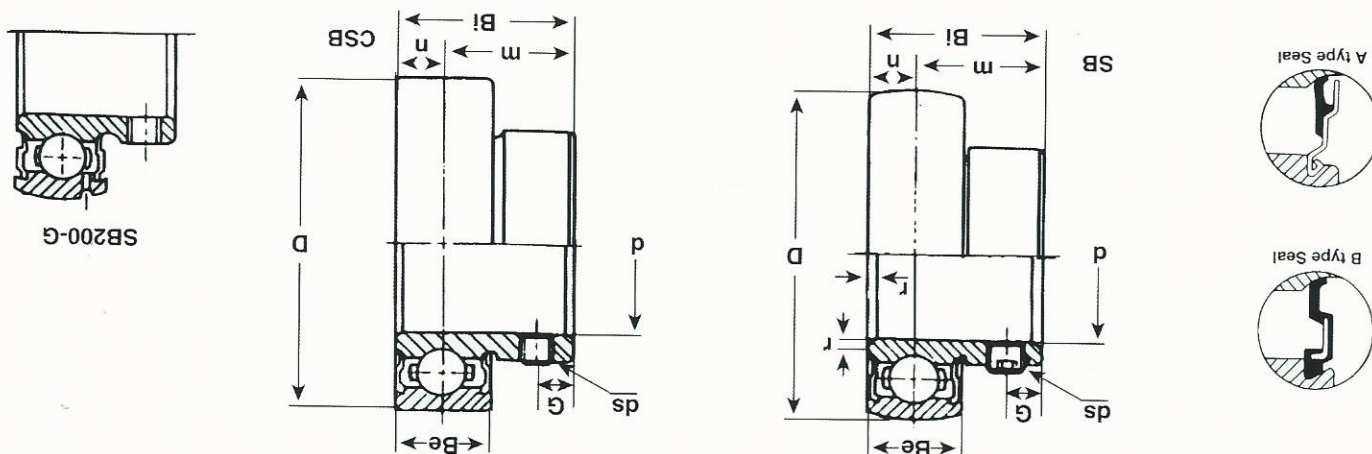


Note: 1. Add "G" suffix for relube type, (e.g., SB205-16G). Grease groove is on locking collar side of outer ring as standard and can be manufactured on the opposite side upon request.  
 2. Metric bore sizes also available upon request.  
 3. Stainless steel inserts available upon request.

HBC Bearing NO.	Shaft Dia. (in)	Dimensions (in)										Load Rating		Weight	
		D	BI	Be	r	n	m	G	ds	Dynamic	Static	lb.	kg		
SB201-8	1/2	1.5748	0.866	0.472	0.039	0.236	0.063	0.177	4.5	1/4-28	2750	1072	8	0.09	0.20
SB202-10	5/8	40	22	12	1	6	16	4.5	1/4-28	2750	1072	8	0.13	0.18	
SB204-12	3/4	47	25	14	1.5	7	18	4.5	1/4-28	2880	1484	0.13	0.29	0.29	
SB205-14	7/8	2.0472	1.062	0.591	0.059	0.295	0.7467	5.5	1/4-28	3152	1765	0.16	0.37	0.40	
SB205-15	15/16	52	27	15	1.5	7.5	19.5	5.5	1/4-28	3152	1765	0.16	0.35	0.40	
SB206-17	1-1/16	1-1/16	1-1/8	1-1/8	1-1/8	1-1/8	1-1/8	1-1/8	1-1/8	1-1/8	1-1/8	1-1/8	1-1/8	1-1/8	
SB206-18	1-1/8	1-1/8	1-1/8	1-1/8	1-1/8	1-1/8	1-1/8	1-1/8	1-1/8	1-1/8	1-1/8	1-1/8	1-1/8	1-1/8	
SB206-19	1-3/16	62	30	16	1.5	8	22	5.5	1/4-28	4375	2542	0.24	0.53	0.55	
SB206-20	1-1/4	1-1/4	1-1/4	1-1/4	1-1/4	1-1/4	1-1/4	1-1/4	1-1/4	1-1/4	1-1/4	1-1/4	1-1/4	1-1/4	
SB207-20	1-1/4	2.8346	1.259	0.669	0.079	0.335	0.925	6.5	5/16-24	5777	3459	0.37	0.82	0.95	
SB207-21	1-5/16	1-5/16	1-5/16	1-5/16	1-5/16	1-5/16	1-5/16	1-5/16	1-5/16	1-5/16	1-5/16	1-5/16	1-5/16	1-5/16	
SB207-22	1-3/8	1-3/8	1-3/8	1-3/8	1-3/8	1-3/8	1-3/8	1-3/8	1-3/8	1-3/8	1-3/8	1-3/8	1-3/8	1-3/8	
SB207-23	1-7/16	1-7/16	1-7/16	1-7/16	1-7/16	1-7/16	1-7/16	1-7/16	1-7/16	1-7/16	1-7/16	1-7/16	1-7/16	1-7/16	
SB208-24	1-1/2	3.1496	1.338	0.708	0.079	0.354	0.984	7	5/16-24	5787	4042	0.60	1.32	1.28	
SB208-25	1-9/16	1-9/16	1-9/16	1-9/16	1-9/16	1-9/16	1-9/16	1-9/16	1-9/16	1-9/16	1-9/16	1-9/16	1-9/16	1-9/16	
SB209-26	1-5/8	1-5/8	1-5/8	1-5/8	1-5/8	1-5/8	1-5/8	1-5/8	1-5/8	1-5/8	1-5/8	1-5/8	1-5/8	1-5/8	
SB209-27	1-11/16	1-11/16	1-11/16	1-11/16	1-11/16	1-11/16	1-11/16	1-11/16	1-11/16	1-11/16	1-11/16	1-11/16	1-11/16	1-11/16	
SB209-28	1-3/4	1-3/4	1-3/4	1-3/4	1-3/4	1-3/4	1-3/4	1-3/4	1-3/4	1-3/4	1-3/4	1-3/4	1-3/4	1-3/4	
SB210-30	1-7/8	1-7/8	1-7/8	1-7/8	1-7/8	1-7/8	1-7/8	1-7/8	1-7/8	1-7/8	1-7/8	1-7/8	1-7/8	1-7/8	
SB210-31	1-15/16	1-15/16	1-15/16	1-15/16	1-15/16	1-15/16	1-15/16	1-15/16	1-15/16	1-15/16	1-15/16	1-15/16	1-15/16	1-15/16	
SB211-32	2	2	2	2	2	2	2	2	2	2	2	2	2	2	
SB211-35	2-3/16	2-3/16	2-3/16	2-3/16	2-3/16	2-3/16	2-3/16	2-3/16	2-3/16	2-3/16	2-3/16	2-3/16	2-3/16	2-3/16	
SB212-36	2-1/4	2-1/4	2-1/4	2-1/4	2-1/4	2-1/4	2-1/4	2-1/4	2-1/4	2-1/4	2-1/4	2-1/4	2-1/4	2-1/4	
SB212-39	2-7/16	2-7/16	2-7/16	2-7/16	2-7/16	2-7/16	2-7/16	2-7/16	2-7/16	2-7/16	2-7/16	2-7/16	2-7/16	2-7/16	



SB200-G

SB200-SERIES CSB200-SERIES SET SCREW TYPE - LIGHT DUTY SERIES

