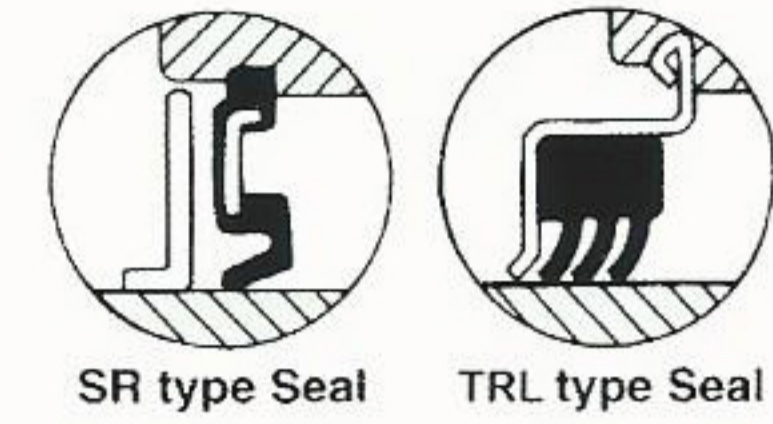
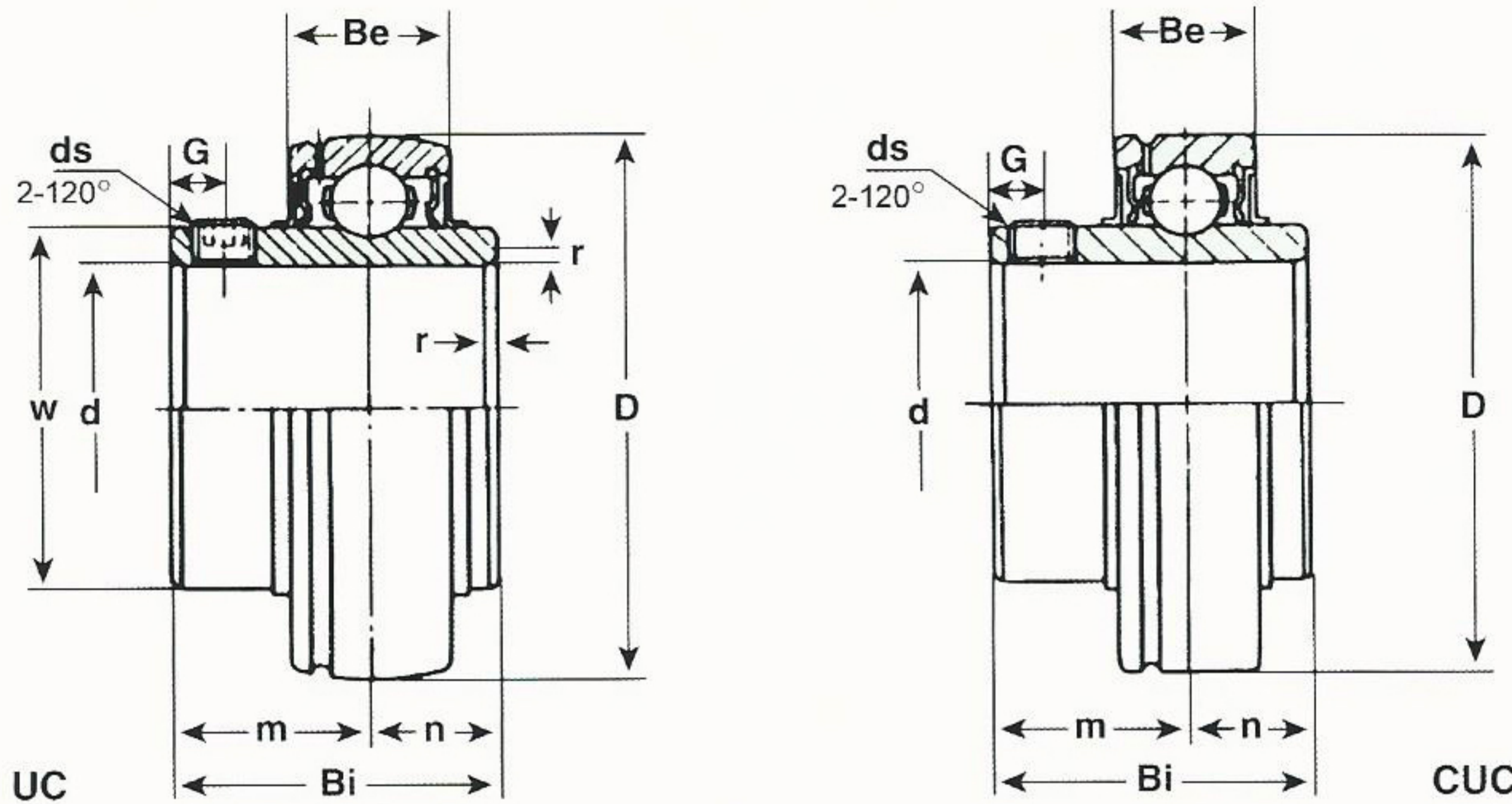




UC200-SERIES
CUC200-SERIES

SET SCREW TYPE



SAS BEARING NO.	Shaft Dia. (in)	Dimensions(in)									Load Rating lb.		Weight	
		D	Bi	Be	r	n	m	G	ds	w	Dynamic	Static	kg	Lbs.
UC201-8	1/2												0.19	0.42
UC202-10	5/8												0.18	0.40
UC204-12	3/4												0.15	0.33
UC201	12(mm)	1.8504	1.2205	0.629	0.039	0.500	0.7205	0.197	1/4-28	1.142	2890	1490	0.20	0.44
UC202	15(mm)	47	31.0	16	1	12.7	18.3	5					0.18	0.40
UC203	17(mm)												0.17	0.38
UC204	20(mm)												0.15	0.33
UC205-14	7/8												0.21	0.47
UC205-15	15/16	2.0472	1.3386	0.669	0.059	0.563	0.7756	0.217	1/4-28	1.339	3155	1760	0.19	0.42
UC205-16	1	52	34.0	17	1.5	14.3	19.7	5.5					0.18	0.40
UC205	25(mm)												0.18	0.40
UC206-17	1-1/16												0.35	0.77
UC206-18	1-1/8												0.33	0.73
UC206-19	1-3/16	2.4409	1.500	0.748	0.059	0.626	0.8740	0.236	1/4-28	1.594	4380	2545	0.31	0.69
UC206-20	1-1/4	62	38.1	19	1.5	15.9	22.2	6					0.30	0.64
UC206	30(mm)												0.30	0.64
UC207-20	1-1/4												0.51	1.13
UC207-21	1-5/16												0.49	1.08
UC207-22	1-3/8	2.8346	1.6890	0.787	0.079	0.689	1.0000	0.256	1/4-28	1.843	5780	3460	0.47	1.04
UC207-23	1-7/16	72	42.9	20	2	17.5	25.4	6.5					0.45	0.99
UC207	35(mm)												0.45	0.99
UC208-24	1-1/2												0.67	1.48
UC208-25	1-9/16	3.1496	1.9370	0.827	0.079	0.748	1.1890	0.315	5/16-24	2.079	5790	4045	0.63	1.39
UC208	40(mm)	80	49.2	21	2	19.0	30.2	8					0.62	1.37
UC209-26	1-5/8												0.77	1.70
UC209-27	1-11/16	3.3465	1.9370	0.866	0.079	0.748	1.1890	0.315	5/16-24	2.307	7360	4600	0.73	1.61
UC209-28	1-3/4	85	49.2	22	2	19.0	30.2	8					0.69	1.52
UC209	45(mm)												0.67	1.48
UC210-30	1-7/8												0.84	1.85
UC210-31	1-15/16	3.5433	2.0315	0.9055	0.079	0.748	1.2835	0.354	5/16-24	2.449	7900	5180	0.79	1.74
UC210-32	2	90	51.6	23	2	19.0	32.6	9					0.77	1.70
UC210	50(mm)												0.77	1.70
UC211-32	2												1.21	2.67
UC211-34	2-1/8	3.9370	2.1890	0.944	0.098	0.874	1.3150	0.354	3/8-24	2.756	9760	6552	1.09	2.41
UC211-35	2-3/16	100	55.6	24	2.5	22.2	33.4	9					1.04	2.30
UC211	55(mm)												1.06	2.34
UC212-36	2-1/4												1.64	3.62
UC212-38	2-3/8	4.3307	2.5630	1.024	0.098	1.000	1.5630	0.394	3/8-24	3.031	11800	8095	1.48	3.27
UC212-39	2-7/16	110	65.1	26	2.5	25.4	39.7	10					1.41	3.11
UC212	60(mm)												1.50	3.31
UC213-40	2-1/2	4.7244	2.5630	1.063	0.098	1.000	1.5630	0.394	3/8-24	3.232	12880	8917	1.87	4.13
UC213	65(mm)	120	65.1	27	2.5	25.4	39.7	10					1.79	3.95
UC214-44	2-3/4	4.9213	2.9370	1.142	0.098	1.189	1.7480	0.472	7/16-20	3.425	13656	9974	2.06	4.54
UC214	70(mm)	125	74.6	29	2.5	30.2	44.4	12					2.05	4.52
UC215-47	2-15/16												2.20	4.85
UC215-48	3	5.1181	3.0630	1.181	0.098	1.311	1.7520	0.472	7/16-20	3.602	15149	10897	2.10	4.63
UC215	75(mm)	130	77.8	30	2.5	33.3	44.5	12					2.18	4.81

Stainless steel inserts SUC204-12 TO SUC212-39 available from stock.