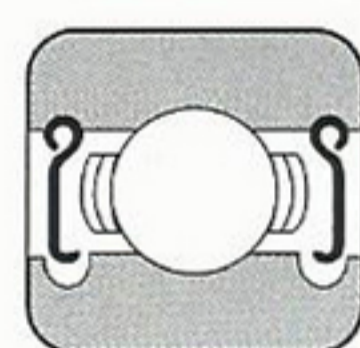


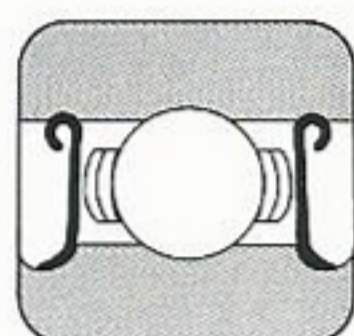


# SINGLE ROW RADIAL BALL BEARINGS

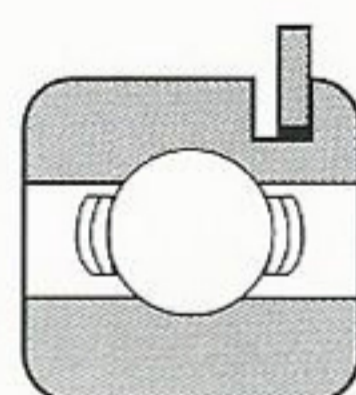
Inch Series 1600



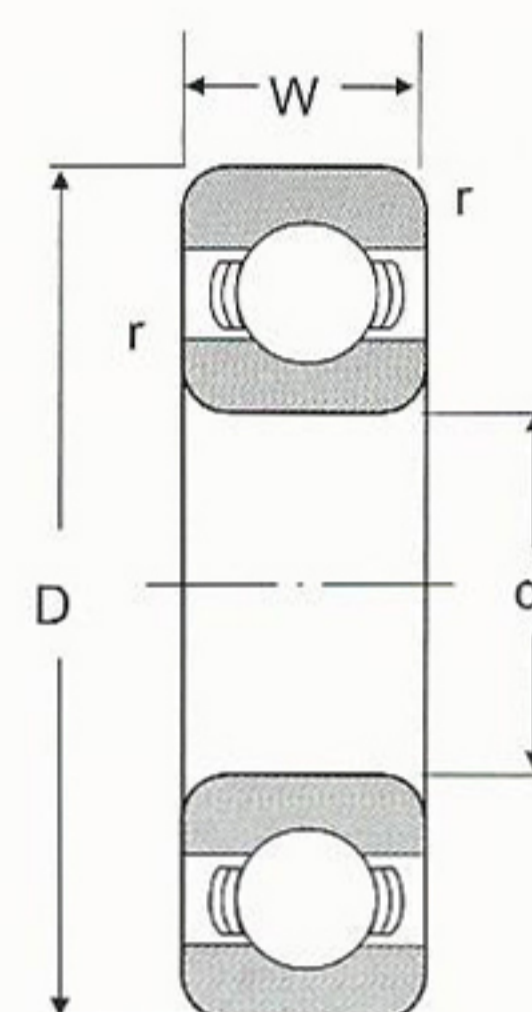
ZZ



2RS



NR



OPEN

SAS Bearing No.	Bore d		Outer Diameter D		Width W		Radius r	Basic Load Rating lbs		Weight lbs
	fraction	inch	fraction	inch	fraction	inch		Dynamic Cr	Static Cor	
1601	3/16	.1875	11/16	.6875	1/4*	.2500*	0.012	350	167	.012
1602	1/4	.2500	11/16	.6875	1/4*	.2500*	0.012	350	167	.013
1603	5/16	.3125	7/8	.8750	9/32**	.2812**	0.012	686	310	.023
1604	3/8	.3750	7/8	.8750	9/32**	.2812**	0.015	686	310	.021
1605	5/16	.3125	29/32	.9062	5/16	.3125	0.012	725	318	.032
1606	3/8	.3750	29/32	.9062	5/16	.3125	0.015	725	318	.030
1607	7/16	.4375	29/32	.9062	5/16	.3125	0.015	725	318	.035
1614	3/8	.3750	1-1/8	1.1250	3/8	.3750	0.025	885	501	.077
1615	7/16	.4375	1-1/8	1.1250	3/8	.3750	0.025	885	501	.071
1616	1/2	.5000	1-1/8	1.1250	3/8	.3750	0.025	885	501	.066
1620	7/16	.4375	1-3/8	1.3750	7/16	.4375	0.025	1038	626	.105
1621	1/2	.5000	1-3/8	1.3750	7/16	.4375	0.025	1038	626	.106
1622	9/16	.5625	1-3/8	1.3750	7/16	.4375	0.025	1038	626	.101
1623	5/8	.6250	1-3/8	1.3750	7/16	.4375	0.025	1038	626	.088
1628	5/8	.6250	1-5/8	1.6250	1/2	.5000	0.025	1848	1055	.159
1630	3/4	.7500	1-5/8	1.6250	1/2	.5000	0.025	1848	1055	.143
1633	5/8	.6250	1-3/4	1.7500	1/2	.5000	0.025	1848	1055	.203
1635	3/4	.7500	1-3/4	1.7500	1/2	.5000	0.025	1848	1055	.187
1638	3/4	.7500	2	2.0000	9/16	.5625	0.035	1958	1165	.265
1640	7/8	.8750	2	2.0000	9/16	.5625	0.035	1958	1165	.247
1641	1	1.0000	2	2.0000	9/16	.5625	0.035	1958	1165	.221
1652	1-1/8	1.1250	2-1/2	2.5000	5/8	.6250	0.035	2592	1735	.463
1654	1-1/4	1.2500	2-1/2	2.5000	5/8	.6250	0.035	2592	1735	.419
1657	1-1/4	1.2500	2-9/16	2.5625	11/16	.6875	0.035	3362	2244	.474
1658	1-5/16	1.3125	2-9/16	2.5625	11/16	.6875	0.035	3362	2244	.441

- \*Width 5/16 inch for RS and 2RS. \*\*Width 11/32 inch for RS and 2RS.
- Add "S" prefix for AISI 440C stainless steel, Example S1616-2RS.
- Add "NR" suffix for snap ring, Example 1641-2RSNR.