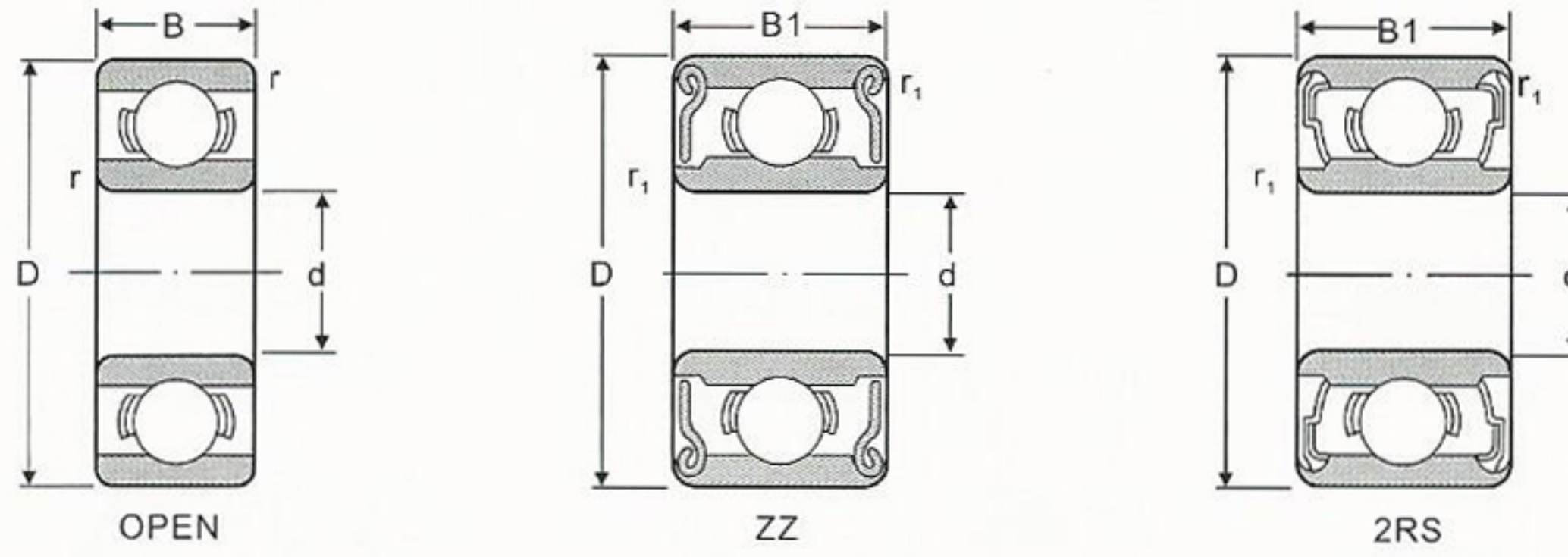




MINIATURE & INSTRUMENT BALL BEARINGS

Metric series



SAS Bearing No.	Bore d mm	Outer Diameter D mm	Width		Radius r mm	Ball Complement		Basic Load Rating lbs		Weight lbs	Ref. No.	
			Open B mm	Shielded B1 mm		No.	Size inch	Dynamic Cr	Static Cor		NMB	RMB
MR85	5	8	2	2.5	0.10	13	1/32	62	31	-	L850	
MR95	5	9	2.5	3	0.15	10	3/64	112	46	0.001	L950	
MR105	5	10	3	4	0.15	8	1/16	115	55	0.002	L1050	
MR115	5	11	3	4	0.15	8	1/16	123	57	0.002		
685	5	11	3	5	0.15	9	1/16	123	57	0.003	L1150	UL511
695	5	13	4	4	0.20	8	2.0mm	187	90	0.005	R1350	
605	5	14	5	5	0.20	7	3/32	229	110	0.007	R1450	
625	5	16	5	5	0.30	8	3/32	300	140	0.010	R1650	R5160
635	5	19	6	6	0.30	6	5/32	400	190	0.017	R1950	
MR106	6	10	2.5	3	0.15	9	3/64	123	57	0.001	L1060	
MR126	6	12	3	4	0.20	10	1/16	187	82	0.002	L1260	
686	6	13	3.5	5	0.15	8	2.0mm	187	90	0.004	L1360	UL613
696	6	15	5	5	0.20	8	3/32	300	140	0.009	R1560	
606	6	17	6	6	0.30	8	3/32	300	140	0.013	R1760	
626	6	19	6	6	0.30	6	5/32	400	190	0.017	R1960	R6190
636	6	22	7	7	0.30	7	5/32	670	280	0.030		
MR117	7	11	2.5	3	0.15	9	3/64	101	46	0.001	L1170	
MR137	7	13	3	4	0.20	11	1/16	198	88	0.003	L1370	
687	7	14	3.5	5	0.15	9	2.0mm	202	103	0.004	L1470	UL714
697	7	17	5	5	0.30	7	3.0mm	235	120	0.012		
607	7	19	6	6	0.30	6	5/32	385	180	0.018	R1970	R7190
627	7	22	7	7	0.30	7	5/32	580	290	0.024	R2270	R7220
637	7	26	9	9	0.30	-	-	820	330	0.053		
MR128	8	12	2.5	3.5	0.15	11	3/64	115	57	0.001	L1280	
MR148	8	14	3.5	4	0.20	11	1/16	198	88	0.003	L1480	
688	8	16	4	5	0.20	9	3/32	310	160	0.007	L1680	UL816
698	8	19	6	6	0.30	7	3.5mm	285	145	0.014	R1980	
X117	8	22	6	6	0.30	7	5/32	580	290	0.020		
608	8	22	7	7	0.30	7	5/32	580	290	0.024	R2280	R8220
628	8	24	8	8	0.30	7	5/32	690	350	0.026		
638	8	28	9	9	0.30	-	-	1012	440	0.056		
689	9	17	4	5	0.20	9	3/32	310	143	0.013	L1790	UL917
699	9	20	6	6	0.30	9	3/32	528	231	0.017	L2090	
609	9	24	7	7	0.30	7	5/32	580	280	0.026		
629	9	26	8	8	0.30	7	3/16	790	400	0.040		
639	9	30	10	10	0.60	-	-	1045	462	0.070		

Most sizes are available from AISI440C stainless steel.
 For AISI 440C stainless steel add "S" prefix. Example SMR126-ZZ, S688-2RS.
 Other sizes not listed above will be available upon request.