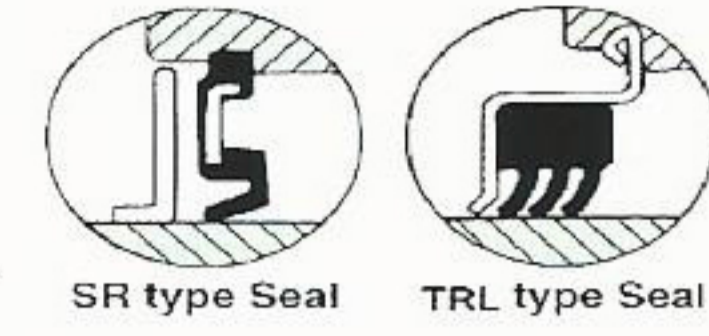
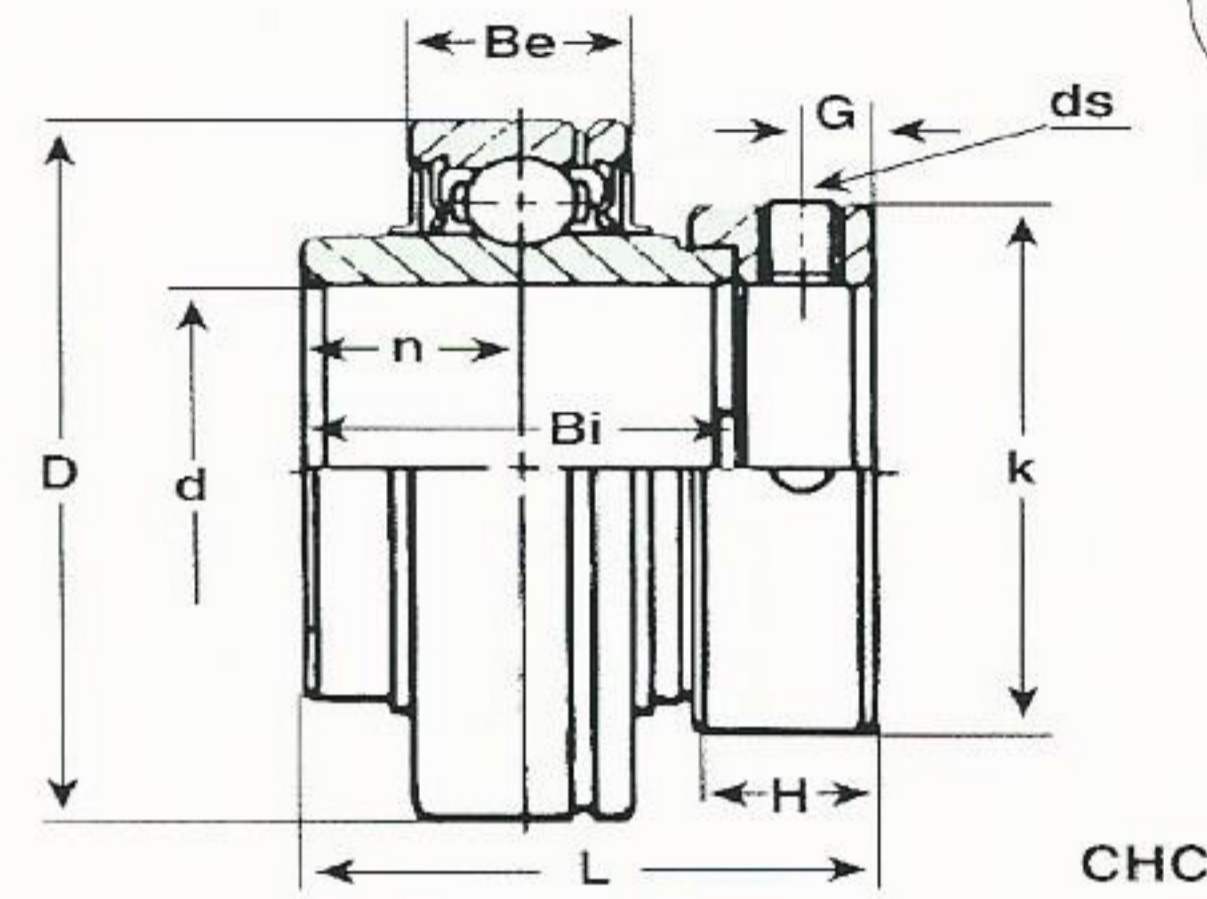
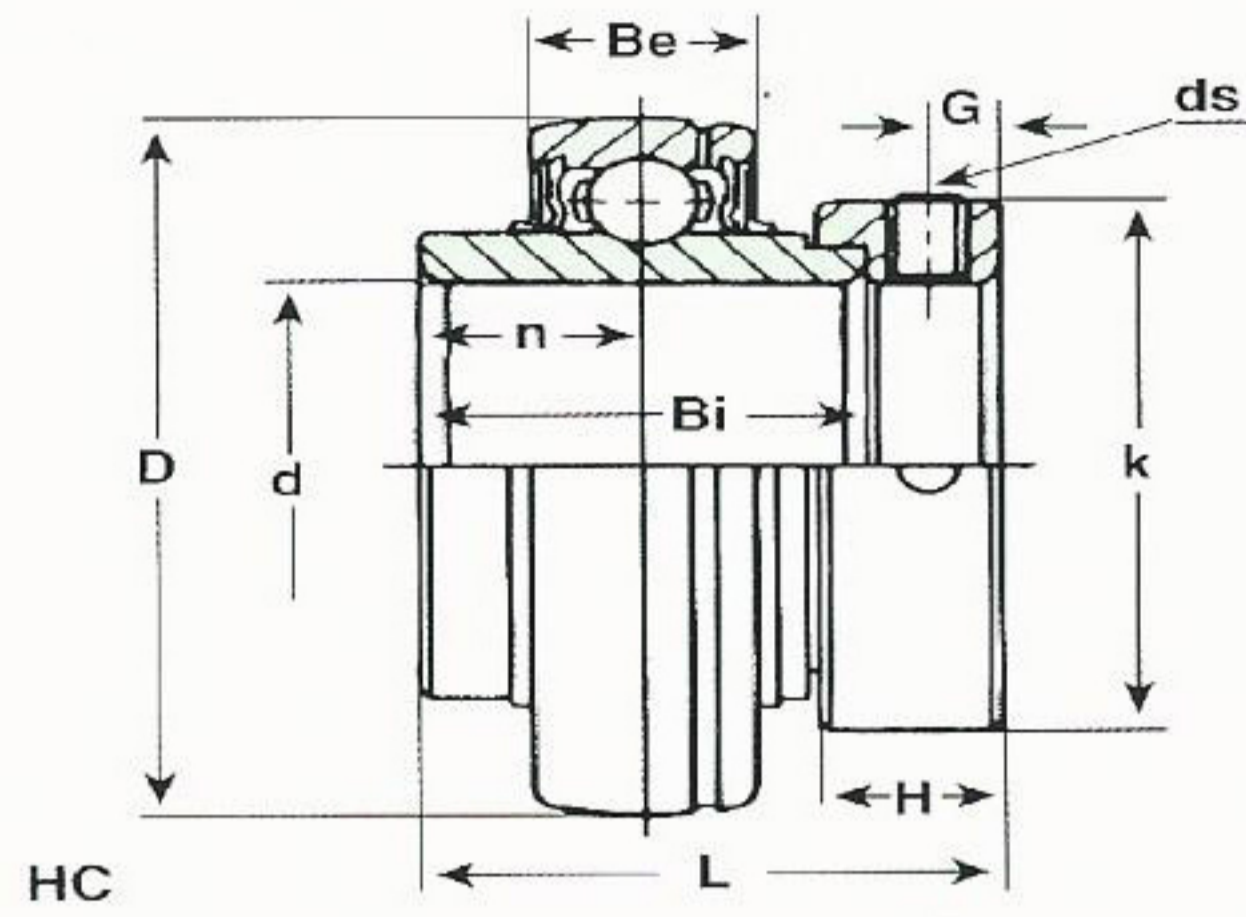




HC200-SERIES
CHC200-SERIES

ECCENTRIC LOCKING COLLAR TYPE



SAS Bearing NO.	Shaft Dia. (in)	Dimensions(in) (mm)									Set Screw ds	Load Rating lb.		Weight		
		D	L	Bi	Be	r	n	k	H	G		Dynamic	Static	kg	Lbs.	
HC201-8	1/2														0.23	0.50
HC202-10	5/8	1.8504	1.720	1.342	0.629	0.059	0.673	1.260	0.531	0.188	1/4-28	2880	1484	0.23	0.50	
HC204-12	3/4	47	43.2	34.1	16	1.5	17.1	32	13.5	4.8				0.20	0.44	
HC204	20(mm)													0.19	0.42	
HC205-14	7/8										1/4-28	3152	1765	0.26	0.57	
HC205-15	15/16	2.0472	1.748	1.374	0.669	0.059	0.688	1.500	0.531	0.188				0.24	0.53	
HC205-16	1	52	44.4	34.9	17	1.5	17.5	38.1	13.5	4.8				0.21	0.46	
HC205	25(mm)													0.22	0.49	
HC206-17	1-1/16										5/16-24	4375	2542	0.42	0.93	
HC206-18	1-1/8	2.4409	1.905	1.437	0.748	0.059	0.720	1.748	0.625	0.234				0.40	0.88	
HC206-19	1-3/16	62	48.4	36.5	19	1.5	18.3	44.4	15.9	6				0.37	0.82	
HC206-20	1-1/4													0.35	0.77	
HC206	30(mm)													0.37	0.82	
HC207-20	1-1/4										5/16-24	5777	3459	0.64	1.41	
HC207-21	1-5/16	2.8346	2.016	1.484	0.787	0.079	0.740	2.188	0.688	0.266				0.61	1.35	
HC207-22	1-3/8	72	51.2	37.7	20	2	18.8	55.6	17.5	6.8				0.58	1.28	
HC207-23	1-7/16													0.54	1.19	
HC207	35(mm)													0.58	1.28	
HC208-24	1-1/2										5/16-24	5787	4042	0.81	1.79	
HC208-25	1-9/16	3.1496	2.220	1.689	0.862	0.079	0.844	2.377	0.719	0.266				0.77	1.70	
HC208	40(mm)	80	56.4	42.9	21	2	21.4	60.3	18.3	6.8				0.76	1.68	
HC209-26	1-5/8										5/16-24	7357	4598	0.92	2.03	
HC209-27	1-11/16	3.3465	2.220	1.689	0.866	0.079	0.844	2.499	0.719	0.266				0.87	1.92	
HC209-28	1-3/4	85	56.4	42.9	22	2	21.4	63.5	18.3	6.8				0.81	1.79	
HC209	45(mm)													0.81	1.79	
HC210-30	1-7/8										5/16-24	7895	5180	1.06	2.34	
HC210-31	1-15/16	3.5433	2.468	1.937	0.866	0.079	0.969	2.751	0.719	0.266				1.00	2.21	
HC210	50(mm)	90	62.7	49.2	22	2	24.6	69.8	18.3	6.8				0.97	2.14	
HC211-32	2										5/16-24	9757	6552	1.56	3.44	
HC211-34	2-1/8	3.9370	2.814	2.189	0.944	0.098	1.091	2.999	0.813	0.313				1.49	3.29	
HC211-35	2-3/16	100	71.4	55.6	24	2.5	27.7	76.2	20.6	8				1.34	2.95	
HC211	55(mm)													1.37	3.02	
HC212-36	2-1/4										3/8-24	11798	8093	2.03	4.48	
HC212-38	2-3/8	4.3307	3.062	2.437	1.023	0.098	1.219	3.312	0.875	0.313				1.86	4.10	
HC212-39	2-7/16	110	77.8	61.9	27	2.5	31	84.1	22.2	8				1.77	3.90	
HC212	60(mm)													1.87	4.12	
HC215-47	2-15/16	5.1181	3.374	2.937	1.181	0.098	1.469	4.016	0.925	0.335	3/8-24	15149	10897	2.75	6.07	
HC215-48	3	130	85.7	74.6	30	2.5	37.3	102	23.5	8.5				2.68	5.90	

Stainless Steel inserts available upon request.