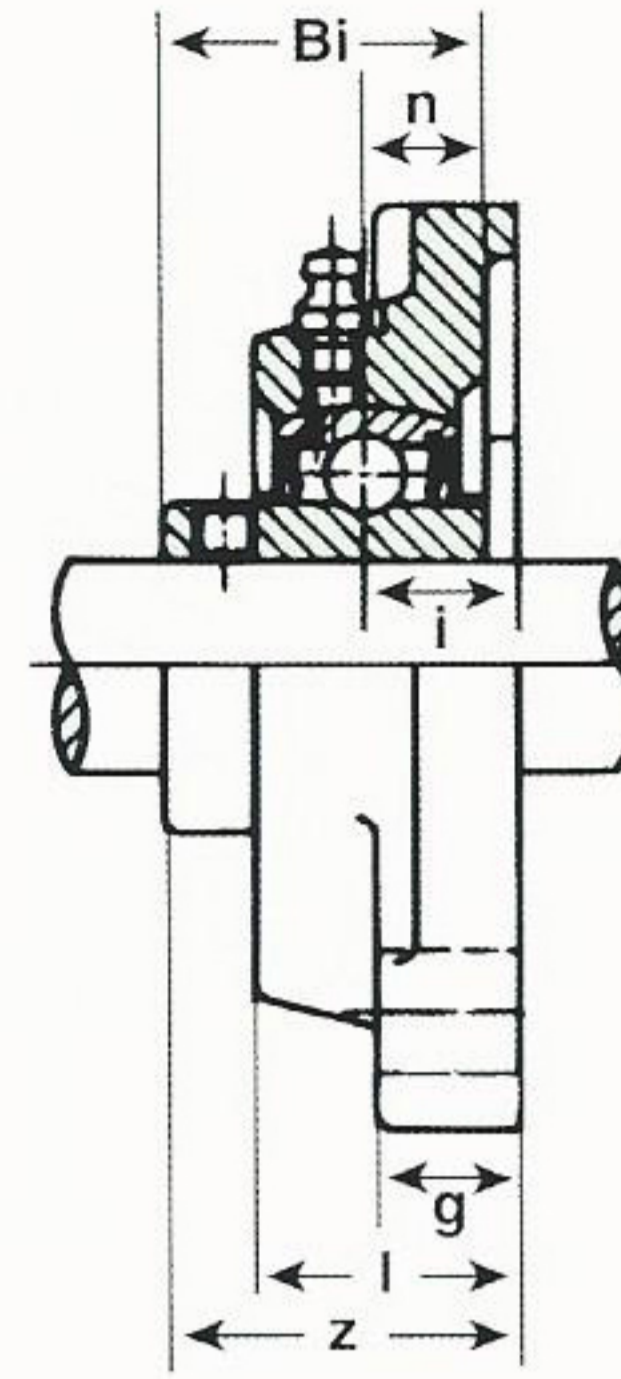
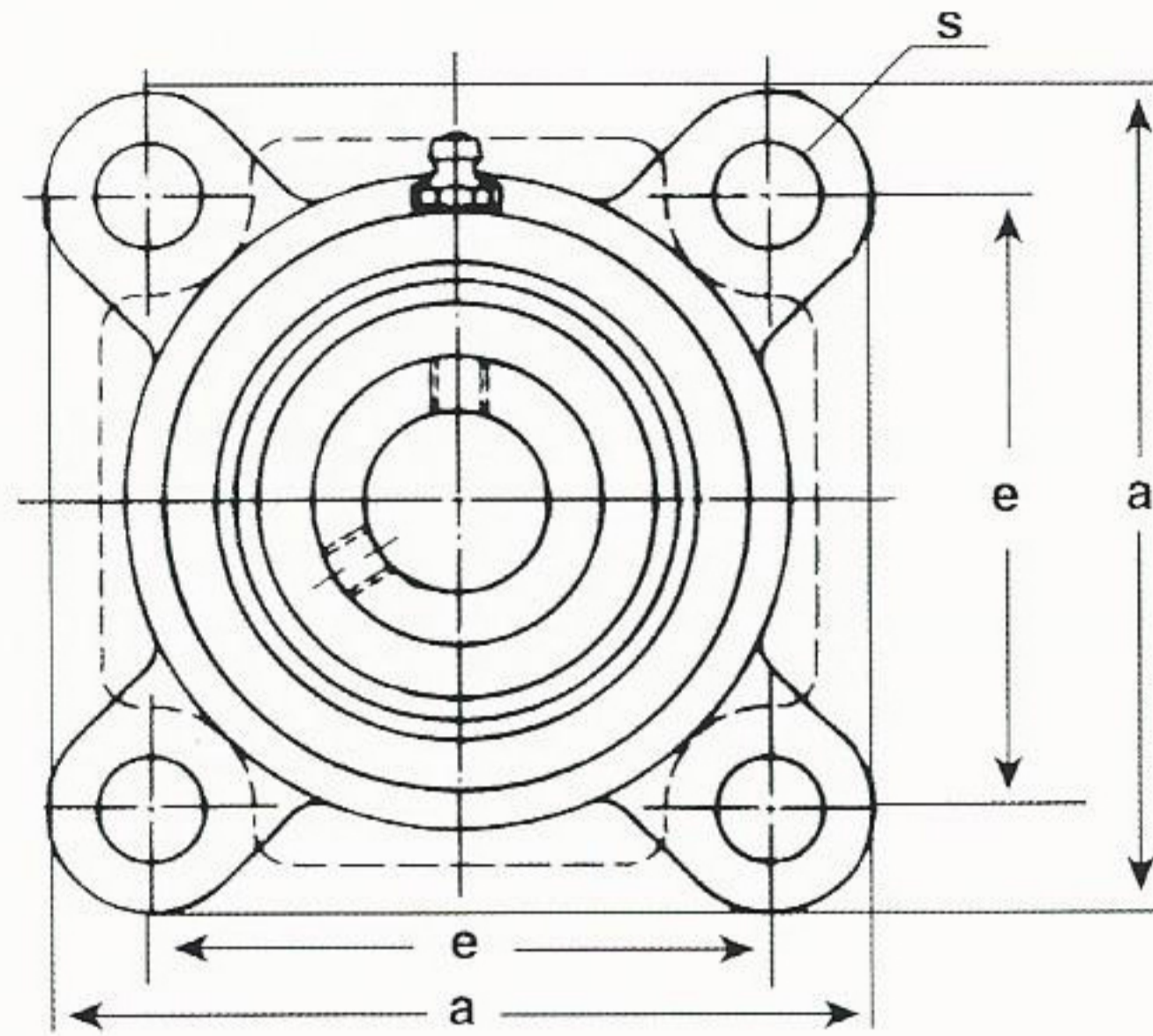




UCF200-SERIES

SET SCREW TYPE



SAS Unit No	Shaft Dia. (Inch)	Dimensions (inch)									Bolt size inch	Bearing No.	Housing No.	Weight	
		a	e	l	g	l	s	z	Bi	n				Kg	lbs.
UCF201-8 UCF202-10 UCF204-12	1/2 5/8 3/4	3-3/8	2-33/64	19/32	15/32	1	1-5/32	1-5/16	1.2205	0.5000	3/8	UC201-8 UC202-10 UC204-12	F204	0.65	1.43
UCF201 UCF202 UCF203 UCF204	12mm 15mm 17mm 20mm											UC201 UC202 UC203 UC204			
UCF205-14 UCF205-15 UCF205-16 UCF205	7/8 15/16 1 25mm											UC205-14 UC205-15 UC205-16 UC205			
UCF206-17 UCF206-18 UCF206-19 UCF206-20 UCF206	1-1/16 1-1/8 1-3/16 1-1/4 30mm											UC206-17 UC206-18 UC206-19 UC206-20 UC206			
UCF207-20 UCF207-21 UCF207-22 UCF207-23 UCF207	1-1/4 1-5/16 1-3/8 1-7/16 35mm	4-19/32	3-5/8	3/4	5/8	1-11/32	35/64	1-3/4	1.6890	0.6890	7/16	UC207-20 UC207-21 UC207-22 UC207-23 UC207	F207	1.60	3.53
UCF208-24 UCF208-25 UCF208	1-1/2 1-9/16 40mm	5-1/8	4-1/64	53/64	5/8	1-13/32	5/8	2-1/64	1.9370	0.7480	1/2	UC208-24 UC208-25 UC208	F208	2.05	4.52
UCF209-26 UCF209-27 UCF209-28 UCF209	1-5/8 1-11/16 1-3/4 45mm	5-13/32	4-9/64	55/64	23/32	1-1/2	5/8	2-1/16	1.9370	0.7480	1/2	UC209-26 UC209-27 UC209-28 UC209	F209	2.38	5.25
UCF210-30 UCF210-31 UCF210	1-7/8 1-15/16 50mm	5-5/8	4-3/8	55/64	23/32	1-9/16	5/8	2-5/32	2.0315	0.7480	1/2	UC210-30 UC210-31 UC210	F210	2.50	5.51
UCF211-32 UCF211-34 UCF211-35 UCF211	2 2-1/8 2-3/16 55mm	6-3/8	5-1/8	63/64	25/32	1-11/16	3/4	2-5/16	2.1890	0.8740	5/8	UC211-32 UC211-34 UC211-35 UC211	F211	3.60	7.94
UCF212-36 UCF212-38 UCF212-39 UCF212	2-1/4 2-3/8 2-7/16 60mm	6-7/8	5-5/8	1-9/16	25/32	1-7/8	3/4	2-23/32	2.5630	1.0000	5/8	UC212-36 UC212-38 UC212-39 UC212	F212	4.90	10.8
UCF213-40 UCF213	2-1/2 65mm	7-3/8	5-55/64	1-3/16	25/32	1-31/32	3/4	2-3/4	2.5630	1.0000	5/8	UC213-40 UC213	F213	5.90	13.00
UCF214-44 UCF214	2-3/4 70(mm)	7-19/32	5-63/64	1-7/32	15/64	2-1/8	3/4	2-31/32	2.9370	1.1890	5/8	UC214-44 C214	F214	6.30	13.9
UCF215-47 UCF215-48 UCF215	2-15/16 3 75(mm)	7-7/8	6-17/64	1-11/32	15/16	2-7/32	3/4	3-3/32	3.0630	1.3110	5/8	UC215-47 UC215-48 UC215	F215	6.80	15.0