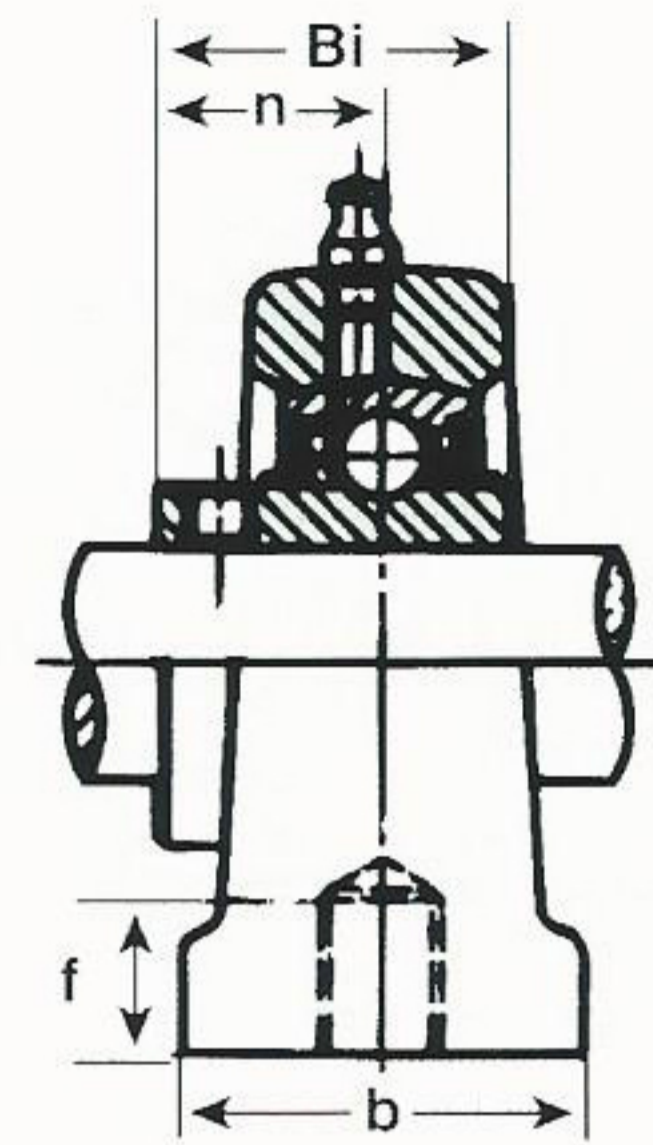
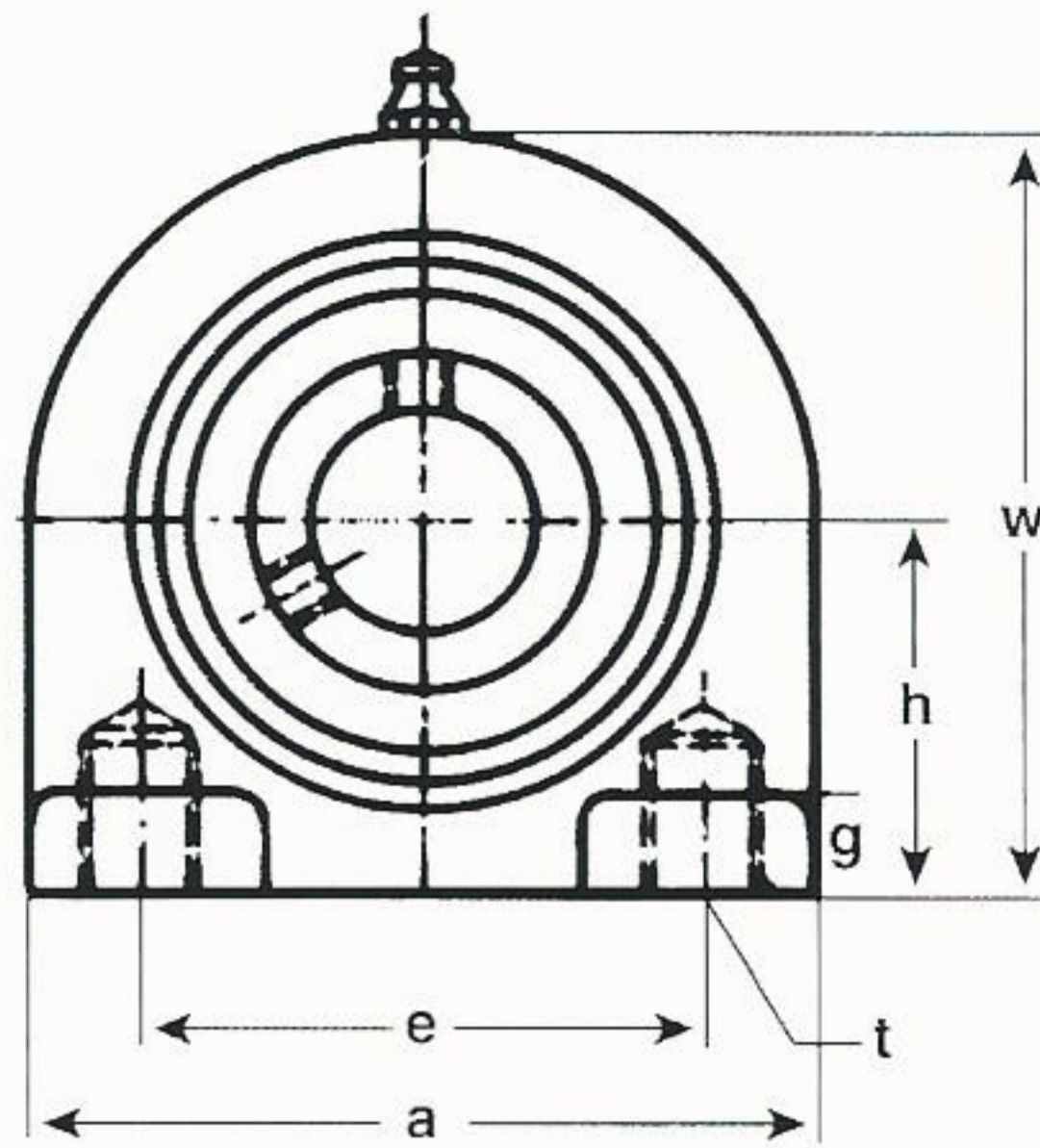




UCTB200-SERIES

SET SCREW TYPE



SAS Unit No	Shaft Dia. (Inch)	Dimensions (inch)										Bearing No.	Housing No.	Weight			
		h	a	e	b	g	w	f	t	Bi	n			Kg	lbs.		
UCTB201-8	1/2												UC201-8				
UCTB202-10	5/8	1-5/16	2-7/8	2	1-1/2	7/16	2-9/16	1/2	3/8-16	1.220	0.500	UC202-10	TB204	0.70	1.54		
UCTB204-12	3/4											UC204-12					
UCTB205-14	7/8											UC205-14					
UCTB205-15	15/16	1-7/16	3	2	1-1/2	15/32	2-13/16	1/2	3/8-16	1.339	0.563	UC205-15	TB205	0.81	1.79		
UCTB205-16	1											UC205-16					
UCTB206-17	1-1/16											UC206-17					
UCTB206-18	1-1/8	1-11/16	4	3	1-1/2	15/32	3-3/8	5/8	7/16-14	1.500	0.626	UC206-18	TB206	1.25	2.76		
UCTB206-19	1-3/16											UC206-19					
UCTB206-20	1-1/4											UC206-20					
UCTB207-20	1-1/4	1-7/8	4-1/4	3-1/4	1-7/8	1/2	3-3/4	3/4	1/2-13	1.689	0.689	UC207-20	TB207	1.70	3.75		
UCTB207-21	1-5/16											UC207-21					
UCTB207-22	1-3/8											UC207-22					
UCTB207-23	1-7/16											UC207-23					
UCTB208-24	1-1/2	1-15/16	4-5/8	3-1/2	1-7/8	1/2	3-15/16	3/4	1/2-13	1.937	0.748	UC208-24	TB208	2.00	4.41		
UCTB208-25	1-9/16											UC208-25					
UCTB209-26	1-5/8	2-1/8	5	3-3/4	2	1/2	4-1/4	3/4	1/2-13	1.937	0.748	UC209-26	TB209	2.30	5.07		
UCTB209-27	1-11/16											UC209-27					
UCTB209-28	1-3/4											UC209-28					
UCTB210-30	1-7/8	2-1/4	5-1/2	4	2	9/16	4-5/8	7/8	5/8-11	2.032	0.748	UC210-30	TB210	2.90	6.39		
UCTB210-31	1-15/16											UC210-31					
UCTB210-32	2											UC210-32					

TB housings for inch size inserts. metric size PA housings available from stock.